

# 3M™ Encapsulated System Holders

The choice for 3M production capsules for lab, pilot, and manufacturing applications



## Modern convenience for ease of use.

Designed with operator ease and convenience in mind, the 3M™ Encapsulated System Holder accommodates all 3M production capsules used in upstream and downstream processing. The modular design allows for flexibility to accommodate lab to process scale in a variety of different applications ranging from monoclonal antibody and recombinant protein cell culture harvest to microbial filtration as well as downstream polishing.

- ▶ Eliminates the need for stainless-steel housing and the pre and post filtration cleaning and validation steps
- ▶ Different holder designs and capsule configurations allow for flexibility at different scales
- ▶ Reduces the risk of exposure to fluid when handling used capsules
- ▶ Efficient loading and unloading for additional time savings
- ▶ Small footprint during use and storage



3M™ Encapsulated System Holder, Small 16EZA



3M™ Encapsulated System Holder, Large 16EZB

# 3M™ Encapsulated System Holder, Small 16EZA

The compact choice for pilot scale processes

Multiple configurations of the compact holder can be used for laboratory and pilot scale-up studies. Either single stage or two-stage operations can be achieved within a single holder, and a built in torque limiter signals to the operator that the assembly is properly sealed for use.

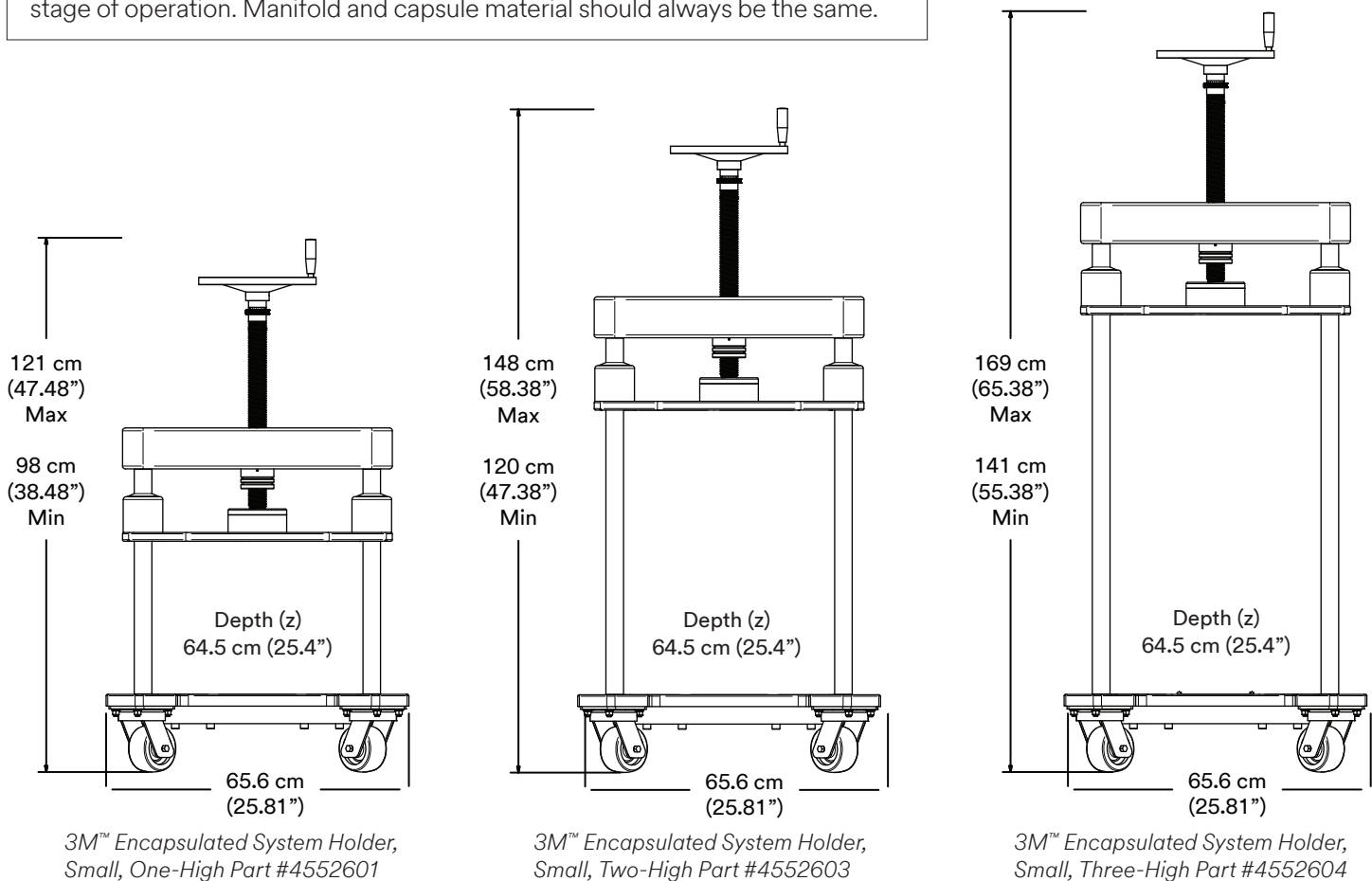
## Ordering Information

Configurations	Part #
1-High	4552601
2-High	4552603
3-High	4552604

### Note:

#### Two Stage Operations

For two-stage operations, a second pair of manifolds is required between each stage of operation. Manifold and capsule material should always be the same.



# 3M™ Encapsulated System Holder, Large 16EZB

The choice for flexibility for pilot and production scale

The ergonomically designed production scale holder, 16EZB, can be conveniently rotated into a horizontal position for loading then rotated upright into a vertical position for operation.

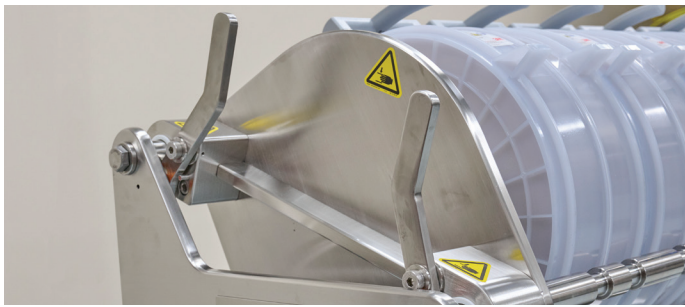
The use of the vertical flow path allows for full media utilization and a small footprint during storage and use.

The 3M Encapsulated System Holder, Large 16EZB features:

- ▶ Accomodation for 1-7 multi-cell production capsules
- ▶ Rotation handle designed for easy pivoting
- ▶ 6" wheels for ease of movement
- ▶ Potential for mounting bracket to accommodate a power assisted mover

## Ordering Information

Configurations	Part #
16EZB	6135601



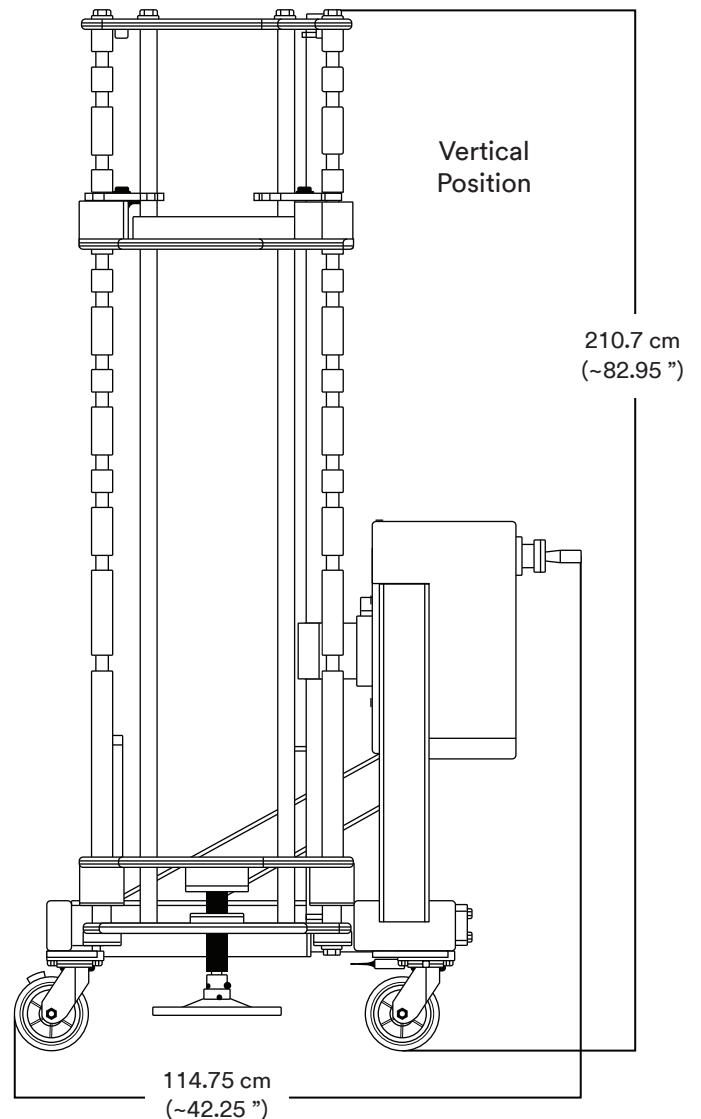
*Two-Handle Locking Mechanism*



*Compatible with Power Drill Adapter In Place of Manual Hand Lever*



*Ease of Operation*



# Strong. Efficient. Flexible.

The 3M™ Encapsulated System Holder is the partner to all 3M production capsules for ease of use and efficiency.

## Holder Capacity

Holder	Single Cell Capsules		Multi-Cell Capsules	
	Single Stage	Dual Stage*	Single Stage	Dual Stage*
Small, 1-High**	Up to 5	2-3	1	N/A
Small, 2-High**	Up to 10	5-8	2	2
Small, 3-high**	Up to 11	7-10	3	2
Large**	4-26	2-23	Up to 7	2 to 6

\* Number of 3M production capsules which fit in a 3M holder along with two sets of manifolds. For example, 2 single cell production capsules in the first stage followed by 1 single cell production capsule in the second stage.

\*\* Combination of single cell and multi-cell capsules can be achieved but spacers (extra) manifolds may be needed to ensure proper seal.

## Holder Specifications

Specifications	Holder Model	
	Small Holder, 16EZA	Large Holder, 16EZB
<b>Materials of Construction</b>		
Frame	304 Stainless Steel	304 Stainless Steel
End Plates	304 Stainless Steel	304 Stainless Steel
Support Rods	316 Stainless Steel	316 Stainless Steel
Stand	304 Stainless Steel	304 Stainless Steel
Hand wheel/Rotation Lever	300 Series Stainless Steel	300 Series Stainless Steel
Locking Handles	N/A	304 Stainless Steel
Casters	Stainless Steel	Stainless Steel
Wheels	Phenolic	Polyurethane
Maximum Differential Pressure	50 psid (3.4 bar)	
Material Finish	Mechanical Polish Finish	

For more information about the 3M™ Encapsulated System Holder, contact your local sales rep by calling 1-800-243-6894, option 4.

**Intended Use(s):** Single-use filter products are intended for use in biopharmaceutical processing applications of aqueous and chemical based pharmaceuticals (drugs) and vaccines in accordance with the product instructions and specifications, and cGMP requirements, where applicable. Since there are many factors that can affect a product's use, the customer and user remain responsible for determining whether the 3M product is suitable and appropriate for the user's specific application, including user conducting an appropriate risk assessment and evaluating the 3M product in user's application.

**Restrictions on Use:** 3M advises against the use of these 3M products in any application other than the stated intended use(s), since other applications have not been evaluated by 3M and may result in an unsafe or unintended condition. Do not use in any manner whereby the 3M product, or any leachable from the 3M product, may become part of or remains in a medical device that is regulated by any agency, and/or globally exemplary agencies, including but not limited to: a) FDA, b) European Medical Device Regulation (MDR), c) Japan Pharmaceuticals and Medical Devices Agency (PMDA) or in applications involving permanent implantation into the body; Life-sustaining medical applications; Applications requiring food contact compliance.

**Product Selection and Use:** Many factors beyond 3M's control and uniquely within user's knowledge and control can affect the use and performance of a 3M product in a particular application. As a result, end-user is solely responsible for evaluating the product and determining whether it is appropriate and suitable for end-user's application, including completing a risk assessment that considers the product leachable characteristics and its impact on drug safety, conducting a workplace hazard assessment and reviewing all applicable regulations and standards (e.g., OSHA, ANSI, etc.). Failure to properly evaluate, select, and use a 3M product and appropriate safety products, or to meet all applicable safety regulations, may result in injury, sickness, death, and/or harm to property.

**Warranty, Limited Remedy, and Disclaimer:** Unless a different warranty is expressly identified on the applicable 3M product literature or packaging (in which case such express warranty governs), 3M warrants that each 3M product meets the applicable 3M product specification at the time 3M ships the product. **3M MAKES NO OTHER WARRANTIES OR CONDITIONS, EXPRESS OR IMPLIED, INCLUDING, BUT NOT LIMITED TO, ANY IMPLIED WARRANTY OR CONDITION OF MERCHANTABILITY, FITNESS FOR A PARTICULAR PURPOSE, OR ARISING OUT OF A COURSE OF DEALING, CUSTOM, OR USAGE OF TRADE.** If a 3M product does not conform to this warranty, then the sole and exclusive remedy is, at 3M's option, replacement of the 3M product or refund of the purchase price. **Limitation of Liability:** Except for the limited remedy stated above, and except to the extent prohibited by law, 3M will not be liable for any loss or damage arising from or related to the 3M product, whether direct, indirect, special, incidental, or consequential (including, but not limited to, lost profits or business opportunity), regardless of the legal or equitable theory asserted, including, but not limited to, warranty, contract, negligence, or strict liability.

Visit us at [3M.com/bioprocessing](https://www.3m.com/bioprocessing)



**3M Purification Inc.**  
**3M Separation and Purification Sciences Division**  
 400 Research Parkway, Meriden, CT 06450 USA

**Phone** 1-800-243-6894 1-203-237-5541

**Web** [3M.com/bioprocessing](https://www.3m.com/bioprocessing)

3M is a trademarks of 3M Company. All other trademarks are property of their respective owners.  
 © 3M 2022. All rights reserved.  
 Please recycle. Printed in USA  
 70-2016-0362-1